



Model B

BLO Series

**Fixed Position
Rotating Sootblower**

Structure Explanation

Primarily, tubular axle, gooseneck valve, speed down drive mechanism, lance, electric control box, arched panel, inner furnace carrier, furnace wall interface device, etc., form Model B Sootblower.

1. Tubular Axle

Made of stainless steel pipe, Tubular Axle has one end connected to the valve for transporting the blowing medium to the blowing gun.

2. Blower Valve - Gooseneck Valve

The valve gets its name from its shape, which is like a gooseneck. It is the key supporting component of the blower for controlling the blowing medium (compressed air or steam). Situated at the bottom of the blower, it supports all other sections.

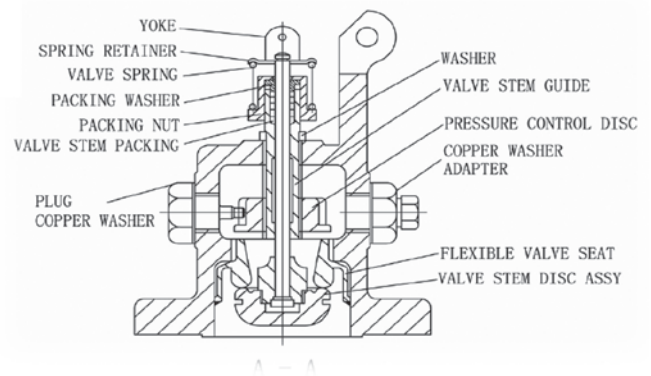
Inside, there exists a pressure adjustment equipment and a start arm, which is kept in control by the cam flange for closing or opening the valve. The blower is shielded from the corrosive gas of the blower by a one-way air valve on the gooseneck valve.

3. Speed down drive mechanism

This system comprises a worm gearbox (reduction rate 1:60), motor and drive gear.

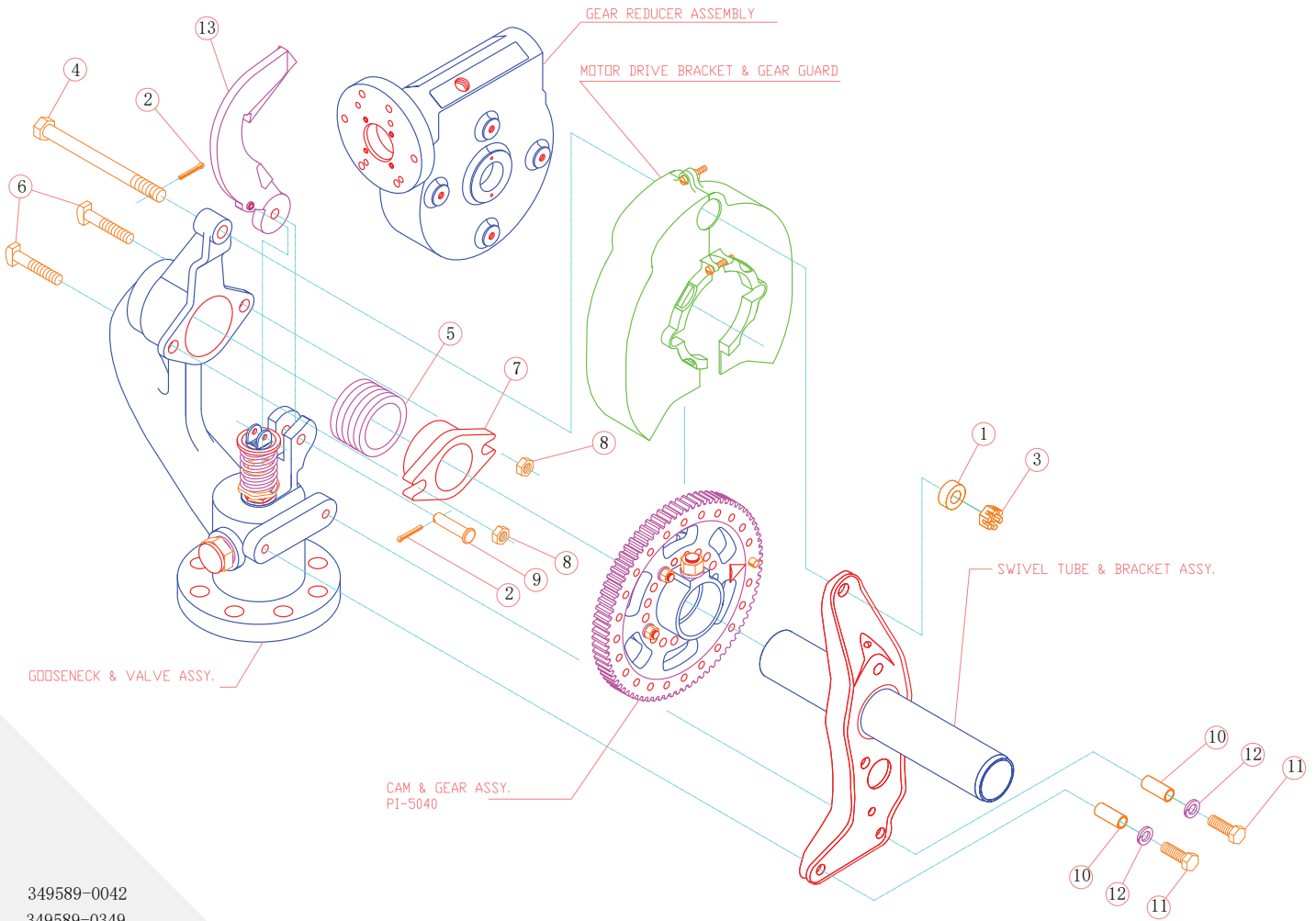
4. Lance

A stainless steel tube with a lot of nozzles is referred to as a lance tube.



5. Electric Control Box

Gooseneck valve (it shapes like a gooseneck) is the main supporting component of the blower to control the blowing medium such as steam or compressed air. It is located at the bottom of the blower and supports all other parts. There is pressure adjustment equipment inside and a start arm is installed on this valve, which is controlled by the cam flange to open or close the valve. A one-way air valve is also installed on this valve to protect the blower by preventing the corrosive gas in the boiler from moving into the blower.



349589-0042
349589-0349

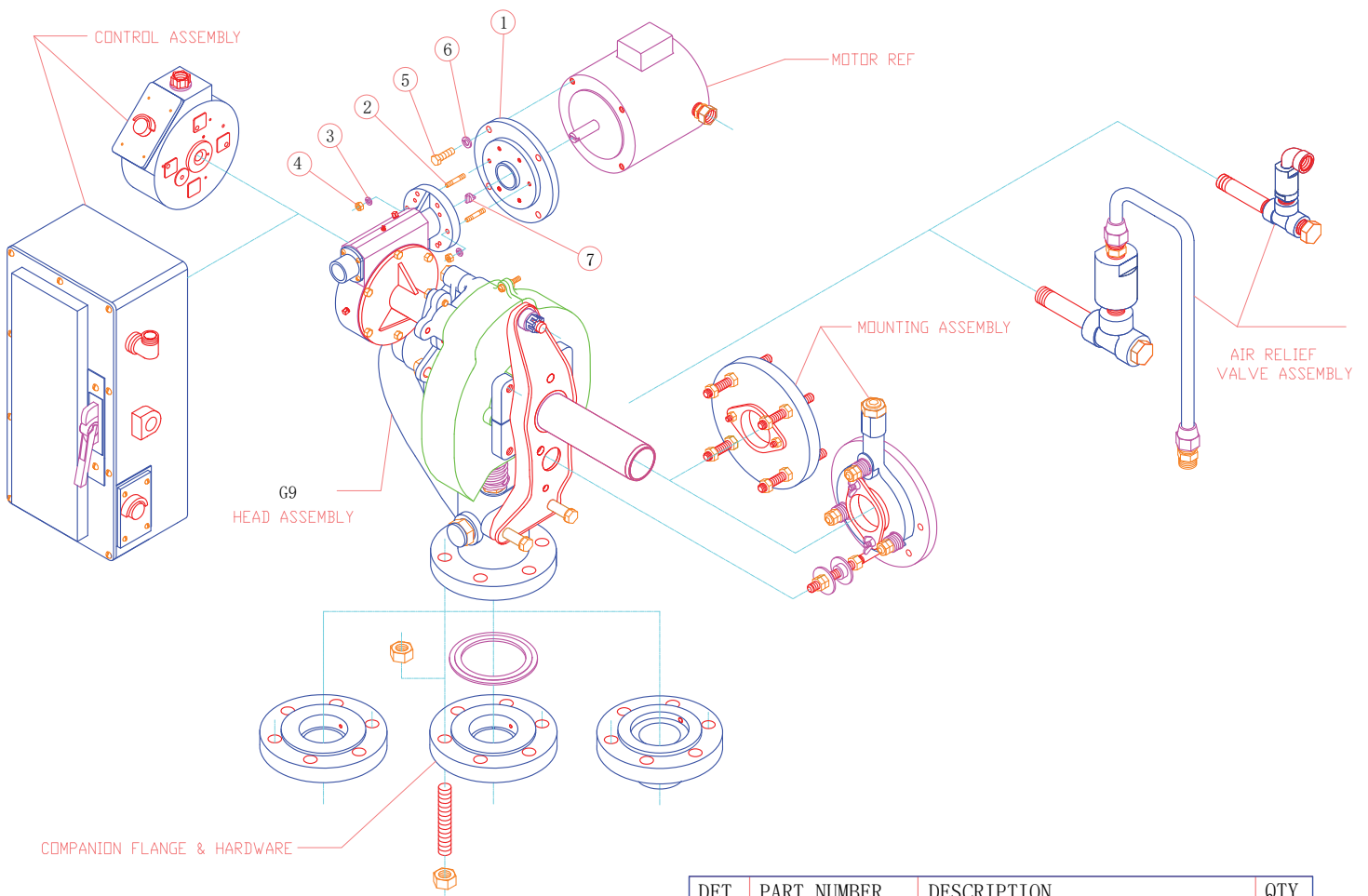
DET	PART NUMBER	DESCRIPTION	QTY
1	302129-0113	BRACKET SPACER	1
2	GB91	3x30 COTTER PIN	2
3	GB6178	M16 SLOTTED HEX NUT	1
4	GB5782	M16x200 TIE BOLT	1
5	310578-1110	77. 5/59 SWIVEL TUBE PACKING	1
6	302078-0114	T-BOLT	2
7	302045-0122	PACKING GLAND	1
8	GB6170	M12 HEX JAM NUT	2
9	301158-0119	TRIGGER PIN	1
10	302062-0112	SPACER	2
11	GB70	M12x35 HEX HD CAP SCREW	2
12	GB93	12 SPLIT LOCK WASHER	2
13	346934-000A	TRIGGER & YOKE PIN ASSEMBLY	1

6. Furnace wall interface device-wallbox

The wallbox is a type of sealing connection box, connected to the boiler, besides acting as a supporting point to attach the blower to the furnace wall.

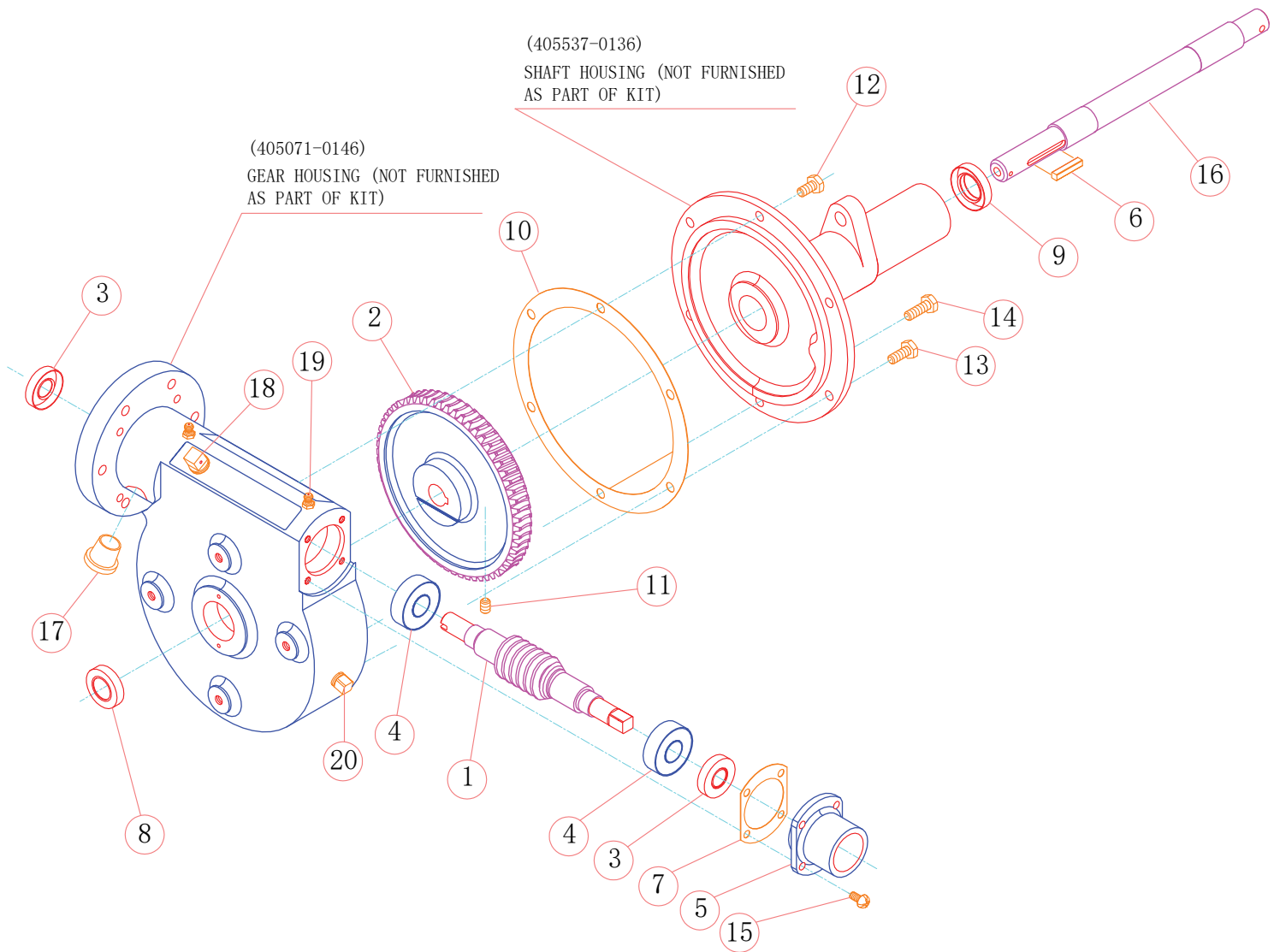
A negative pressure wallbox solely comprises a sealing ring (not needed) and a connection flange. The furnace chamber's negative pressure draught will suck in air from the front blower bracket to block the connection point and protect the blower from caustic gas.

A ring with aspirating holes is installed for a plus pressure wallbox. The holes are used to introduce high-pressure draught air and seal the annular space between the sealing ring and the screw tube. Additionally, the plus pressure wallbox is utilized for another reason: when it is essential to detach the blower from the wallbox while the plus pressure boiler is functioning, the connected compressed air will be let in through the holes to form an air veil for blocking the uncovered opening until it can be covered with a cover plate.



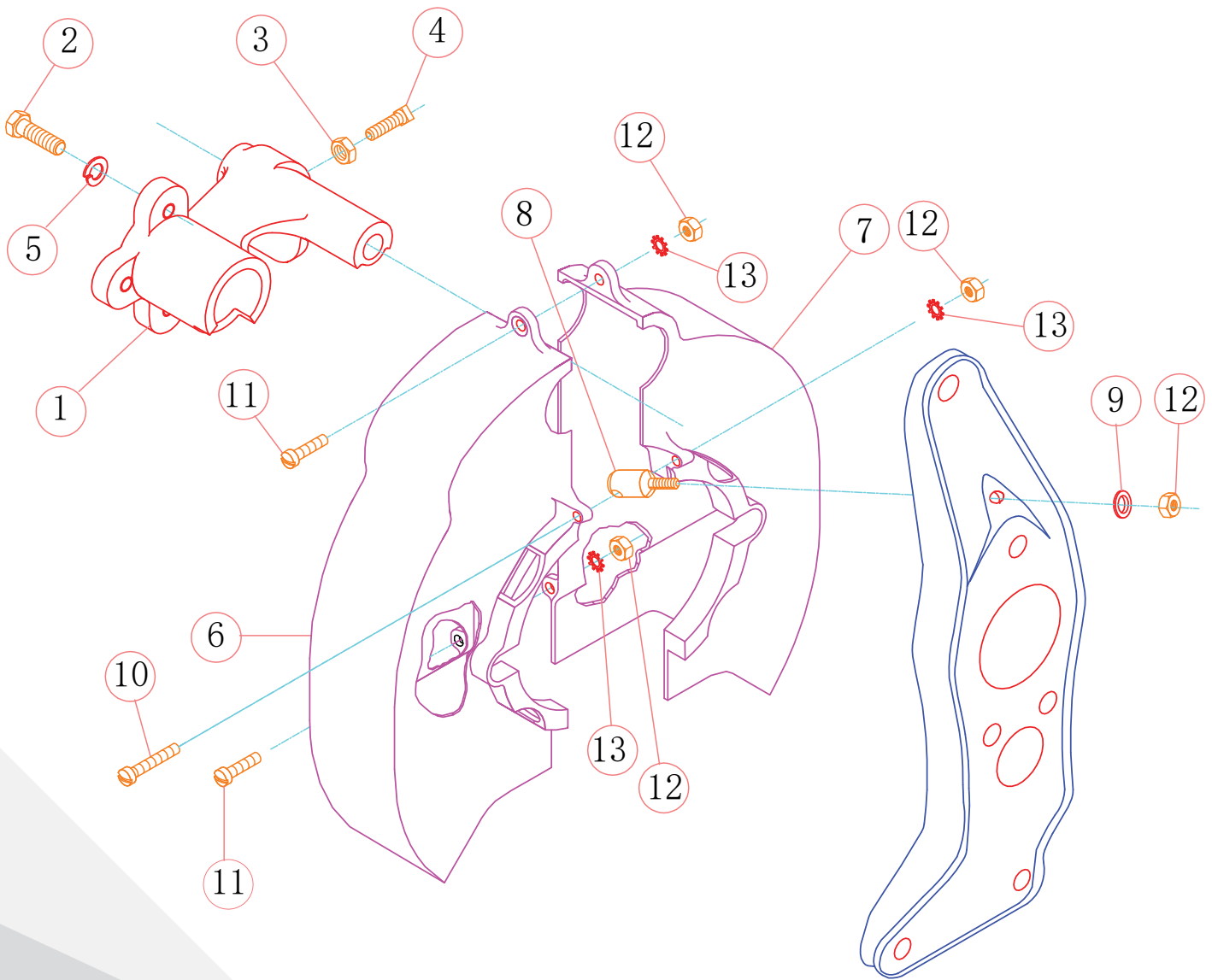
349587-0044

DET	PART NUMBER	DESCRIPTION	QTY
1	405002-0124	ADAPTOR FLANGE	1
	329171-2127	ADAPTOR FLANGE	1
2	GB899	M6x30 STUD	2
	301706-2120	M6x30 STUD	6
3	GB93	6 SPLIT LOCK WASHER	2
	869016-2500	6 SPLIT LOCK WASHER	6
4	GB6170	M6 STEEL HEX NUT	2
	863015-2500	M6 STEEL HEX NUT	6
5	GB70	M8x25 HEX HEAD CAP SCREW	4
6	GB93	8 SPLIT LOCK WASHER	4
7	301138-0114	DRIVE KEY	1
	349566-010A	DRIVE KEY	1



349555-0042

DET	PART NUMBER	DESCRIPTION	QTY
1	405072-0129	60:1 WORM	1
2	405157-0127	60:1 WORM GEAR	1
3	HG4-692	PD14x30x10 WORM SHAFT OIL SEAL	2
4	GB297	7202 WORM SHAFT BEARING	2
5	405073-0128	BEARING RETAINER	1
6	GB1096	WORM GEAR KEY	1
7	349556-010A	0.08 SHIM	2
	349556-010B	0.12 SHIM	2
	349556-010C	0.20 SHIM	2
	349556-010D	0.40 SHIM	2
8	HG4-692	PD16x30x10 SHAFT FRONT OIL SEAL	1
9	HG4-692	PD18x30x10 SHAFT GEAR OIL SEAL	1
10	349557-010A	GEAR CASE SHIM	3
11	866006-2512	SET SCREW	1
12	GB5783	M6x10 HEX HEAD CAP SCREW	1
13	GB5783	M6x16 HEX HEAD CAP SCREW	4
14	GB5783	M6x20 HEX HEAD CAP SCREW	1
15	GB67	M5x12 RD HD MACHINE SCREW	4
16	405538-0127	OUTPUT SHAFT	1
17	936371-0038	PLUG (IF REQUIRED)	1
18	349562-010A	VENT PLUG	1
19	GB1152	M6x1 FITTING. LUB.	2
20	405020-010A	1/8" PLUG	2



302103-1038-J

DET	PART NUMBER	DESCRIPTION	QTY
1	302104-0138	BRACKET	1
2	GB5783	M10x35 HEX HEAD CAP SCREW	1
3	GB6170	M10 HEX JAM NUT	1
4	GB5783	M10x35 SQUARE HEAD CUP POINT SET SCREW	1
5	GB93	10 SPLIT TYPE LOCK WASHER	1
6	301717-1137	RIGHT HAND GEAR GUARD	1
7	301717-2135	LEFT HAND GEAR GUARD	1
8	301716-0114	SPACER BLOCK	1
9	GB97	6 STANDARD WASHER	1
10	GB67	M6x50 FILLISTER HEAD CAP SCREW	1
11	GB67	M6x25 FILLISTER HEAD CAP SCREW	2
12	GB6170	M6 HEX NUT	4
13	GB93	6 EXTERNAL SHAKEPROOF LOCK WASHER	3

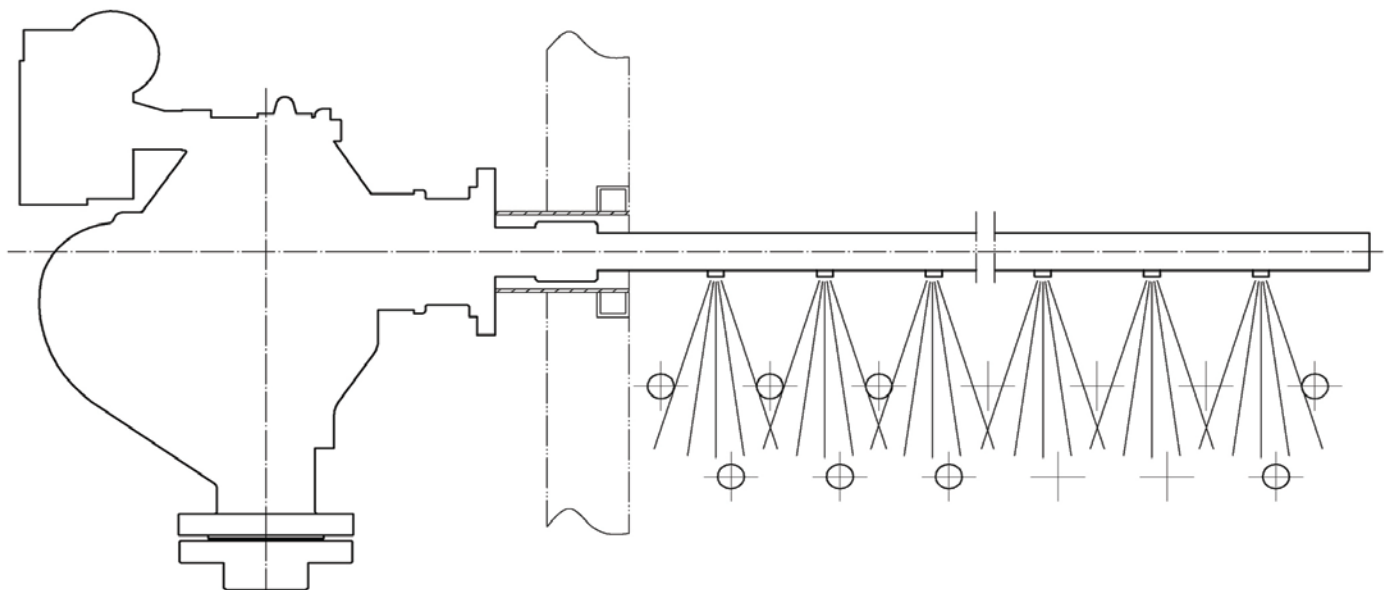
Model B

Fixed Position Rotating Sootblower

Model B is designed for use in marine, stationary, direc-fired oil-heater and waste heat boiler applications. It is also used to remove large volume boiler low-temperature zone (tubular preheater, economizer, reheater, gas recirculating and dusting zone) heating surface's lightly sintered ash or dust.

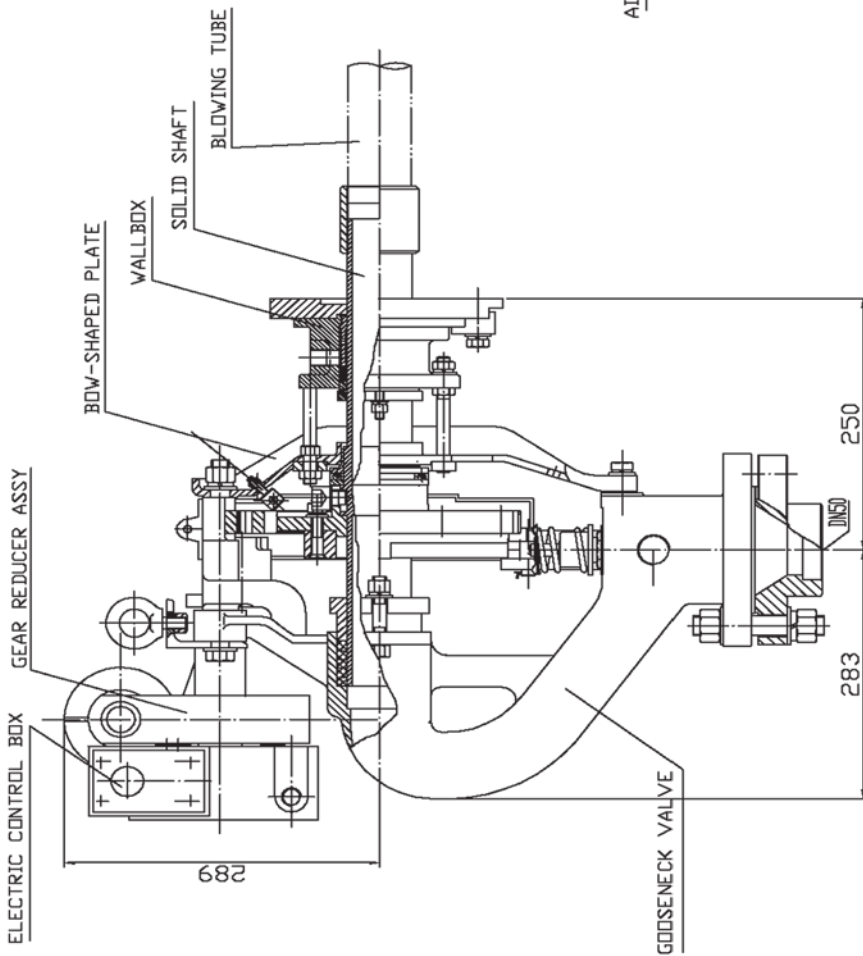
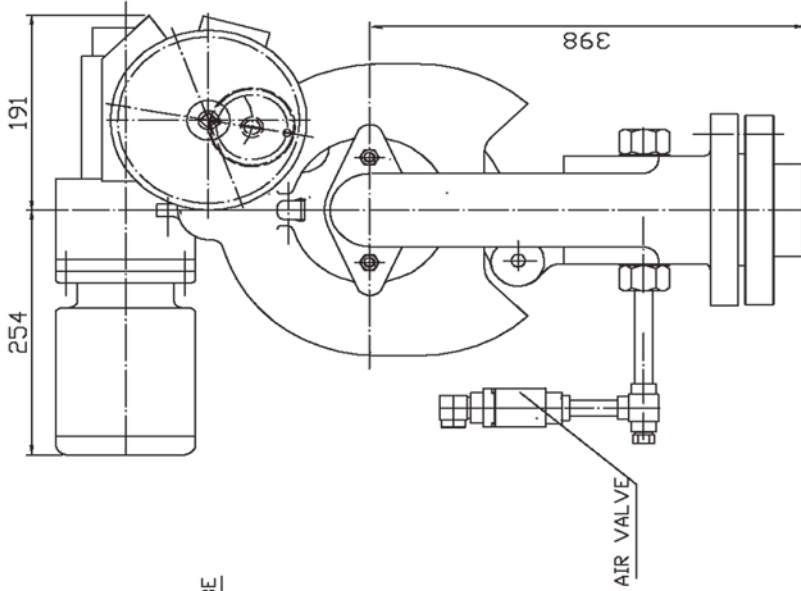
Model B Sootblower Main Technical Data

Blowing arc	: 90° ~ 335°
Lance rotary speed	: 2.5r.p.m
Blowing pressure	: 0.8 ~ 1.5Mpa
Efficient blowing radius	: ~ 1.5m (59")
Nozzle number & bore	: According to the actual condition
Medium consumption	: 30 ~ 100KG/min
Electric motor	: 0.18KW/3P/50Hz
Weight	: ~ 75Kg

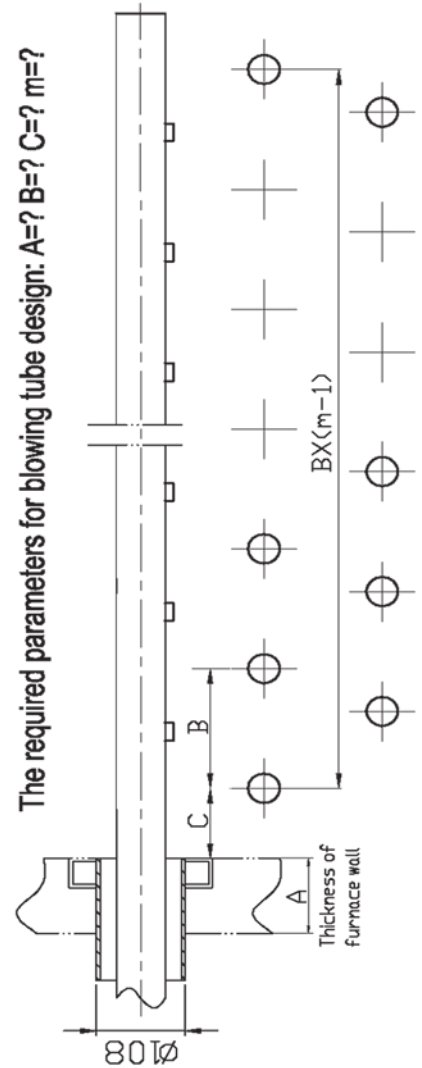




Shipping Weight : 120 KG
 Shipping Crate Dimensions : 72 cm x 60 cm x 81 cm



The required parameters for blowing tube design: A=? B=? C=? m=?



INDUSTRIAL BOILERS AMERICA

1 (800) 785 2944 sales@industrialboilersamerica.com

